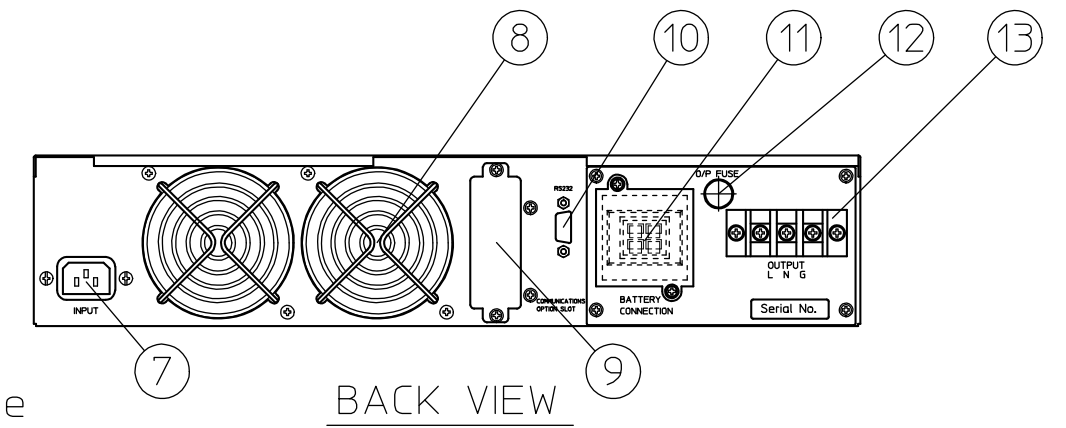
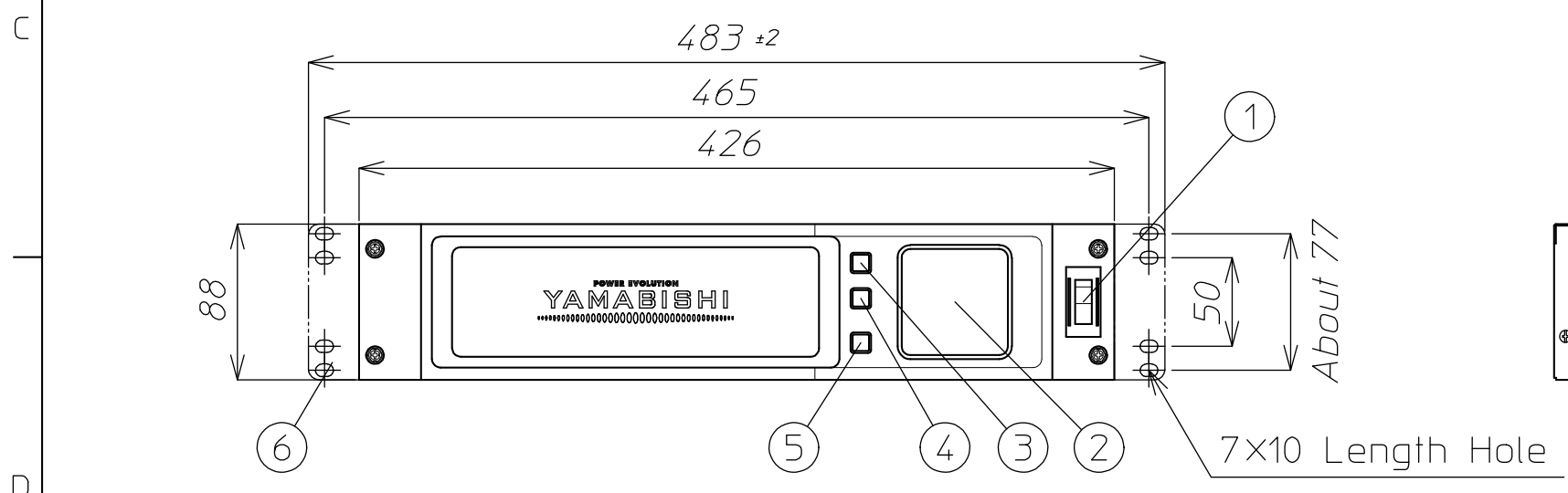


Output Terminal detailed chart

No.	NEME	NOTE
1	INPUT CIRCUIT BREAKER	
2	LCD MONITOR	
3	FUNCTION KEY	
4	SET KEY	
5	ON/OFF KEY	
6	RACK INSTALLATION METAL FITTINGS	
7	INPUT SOCKET	
8	FAN	
9	SOLT FOR COMMUNICATION BOARD	
10	COMMUNICATION SLOT	RS-232C
11	BATTERY INCREASE CONNECTOR	
12	OUTPUT FUSE	
13	OUTPUT TERMINAL	

Mass about 23.2kg
 Pleade open the front and the back by 100mm or more for exhaust.
 This unit is equipped with the battery.
 Cable inlet is on the back. With the bottom plate.



△				材料 Material	处理 Disposal	備考 Note
△				検図	設計	製図
△					写図	単位 Unit
△						3角画法 3rd Angle Projection
△	番号	年月日	訂正記事	担当		

個数 Article	数 /台	名称 Title	ALS-1.5KHRM OUTLINE DRAWING
尺度 Scale	1/4	図番 Dwg.No.	FOR REFERENCE