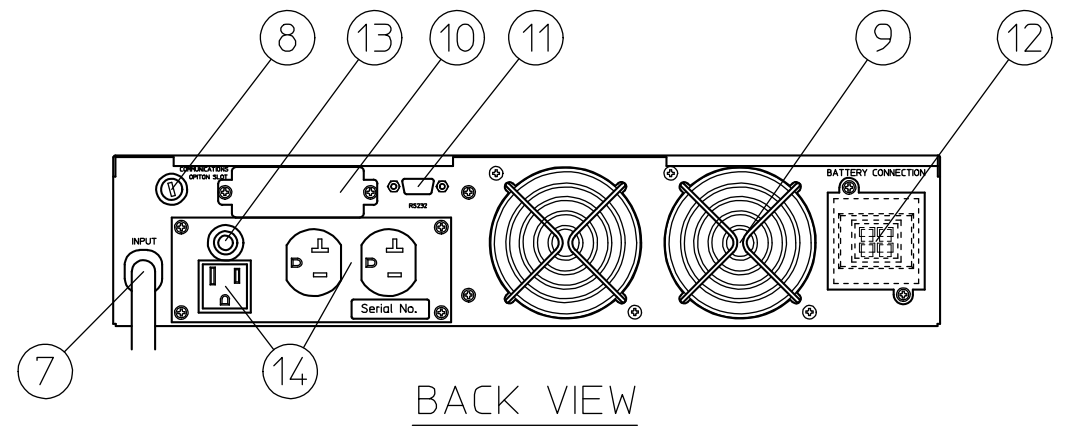
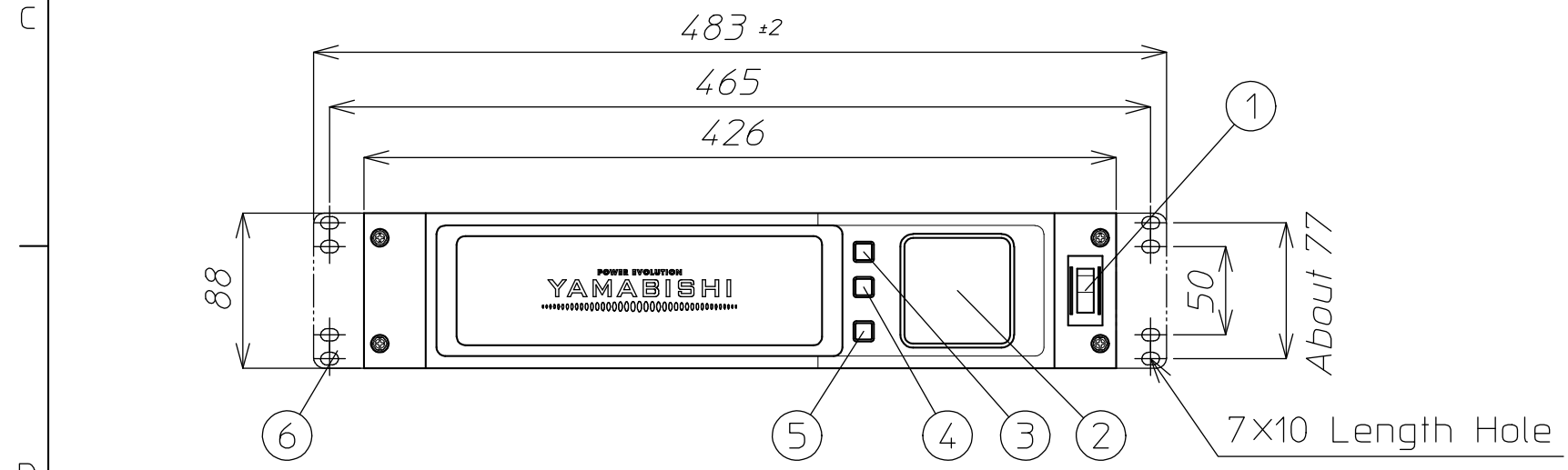


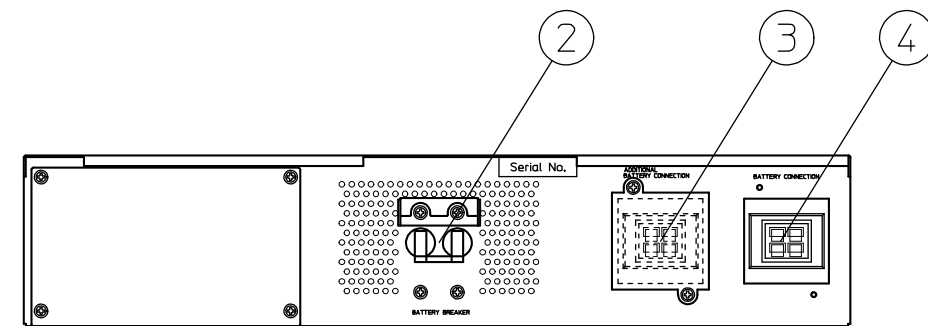
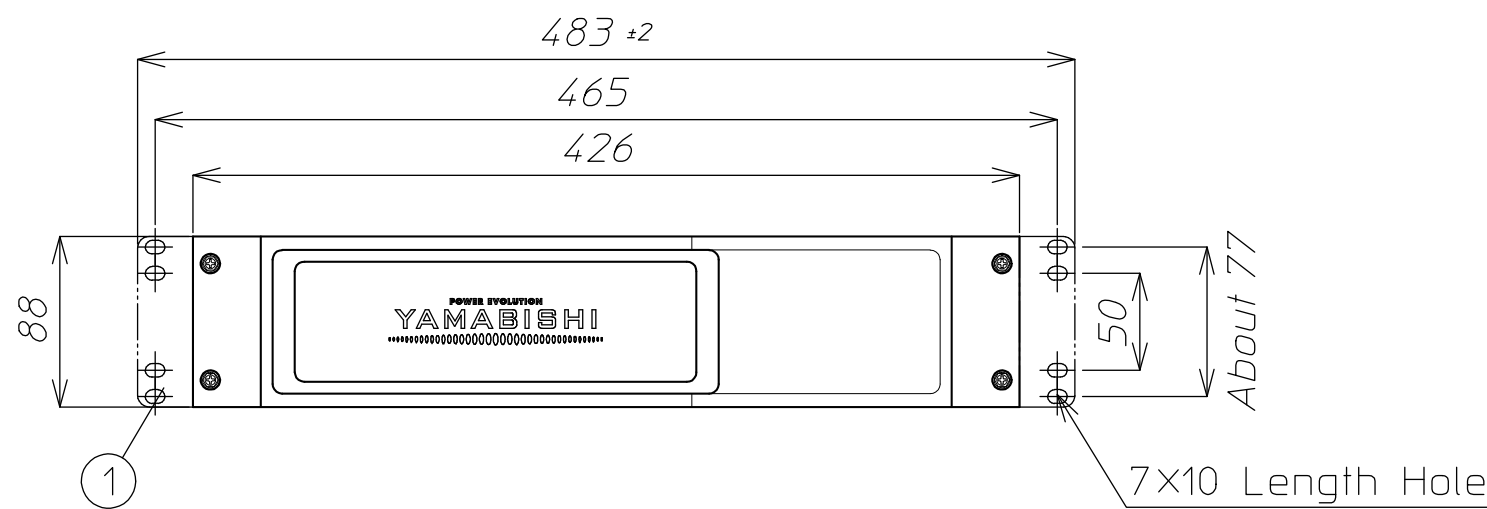
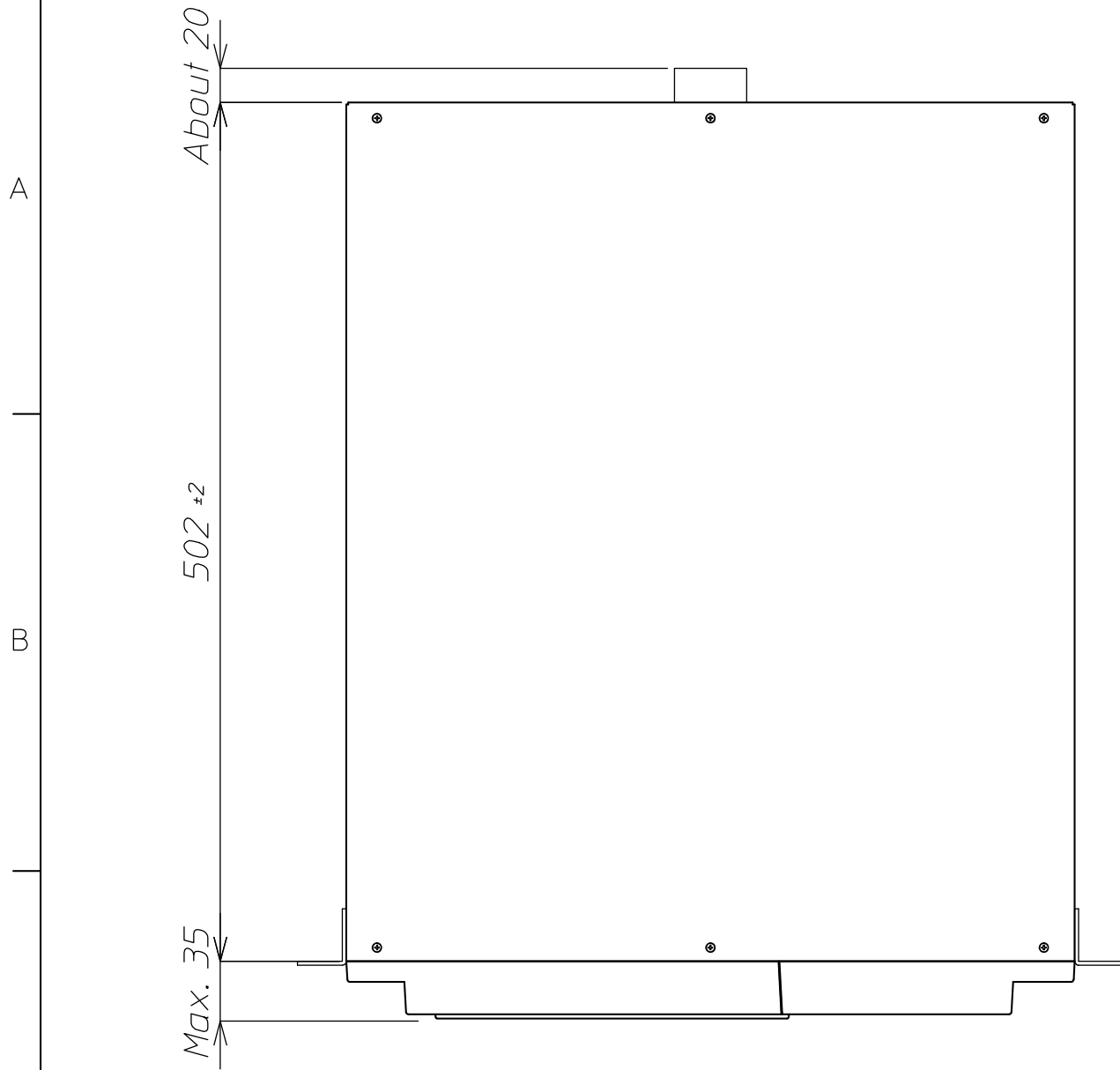
No.	Name	Note
1	INPUT CIRCUIT BREAKER	
2	LCD MONITOR	
3	FUNCTION KEY	
4	SET KEY	
5	ON/OFF KEY	
6	RACK INSTALLATION METAL FITTINGS	
7	INPUT CABLE	
8	OUTPUT FUSE	
9	FAN	
10	SOLT FOR COMMUNICATION BOARD	
11	COMMUNICATION SLOT	RS-232C
12	BATTERY INCREASE CONNECTOR	
13	OUTPUT CIRCUIT BREAKER	
14	OUTPUT TERMINAL	

Mass about 13.2kg
 Pleade open the front and the back by 100mm or more for exhaust.
 This unit is not equipped with battery.
 Normal is equipped with one battery.
 (ALS-B)
 Cable inlet is on the back. With the bottom plate.



材料 Material				处理 Disposal		備考 Note		
検図	設計	製図	写図	単位 Unit	個数 Article	数 / 台	名称 Title	
				m / m			ALS-2KRM OUTLINE DRAWING	
番号	年月日	訂正記事	担当	3角画法 3rd Angle Projection	尺度 Scale	1 / 4	図番 Dwg.No.	FOR REFERENCE

No.	Name	Note
1	RACK INSTALLATION METAL FITTINGS	
2	BATTERY CIRCUIT BREAKER	
3	Battery expansion connector	
4	BATTERY INCREASE CONNECTOR	



BACK VIEW

Mass about 31.2kg
 Please open the front and the back by 100mm or more for exhaust.
 Cable inlet is on the back. With the bottom plate.

△				材料 Material	处理 Disposal	備考 Note
△				検図	設計	製図
△				写図	単位 Unit	個数 Article
△					m / m	数 / 台
△					3角画法 3rd Angle Projection	尺度 Scale
番号	年月日	訂正記事	担当			名称 Title
						ALB-B OUTLINE DRAWING FOR REFERENCE
						図番 Dwg.No.
						1 / 4