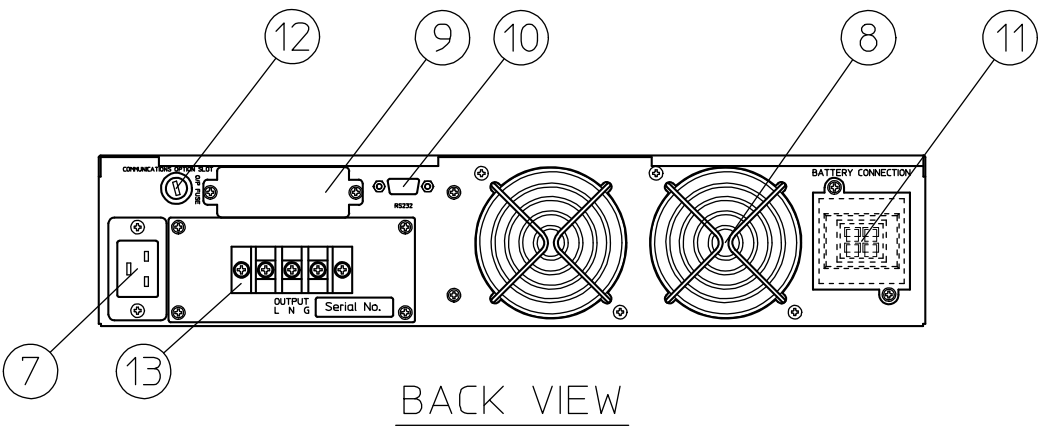
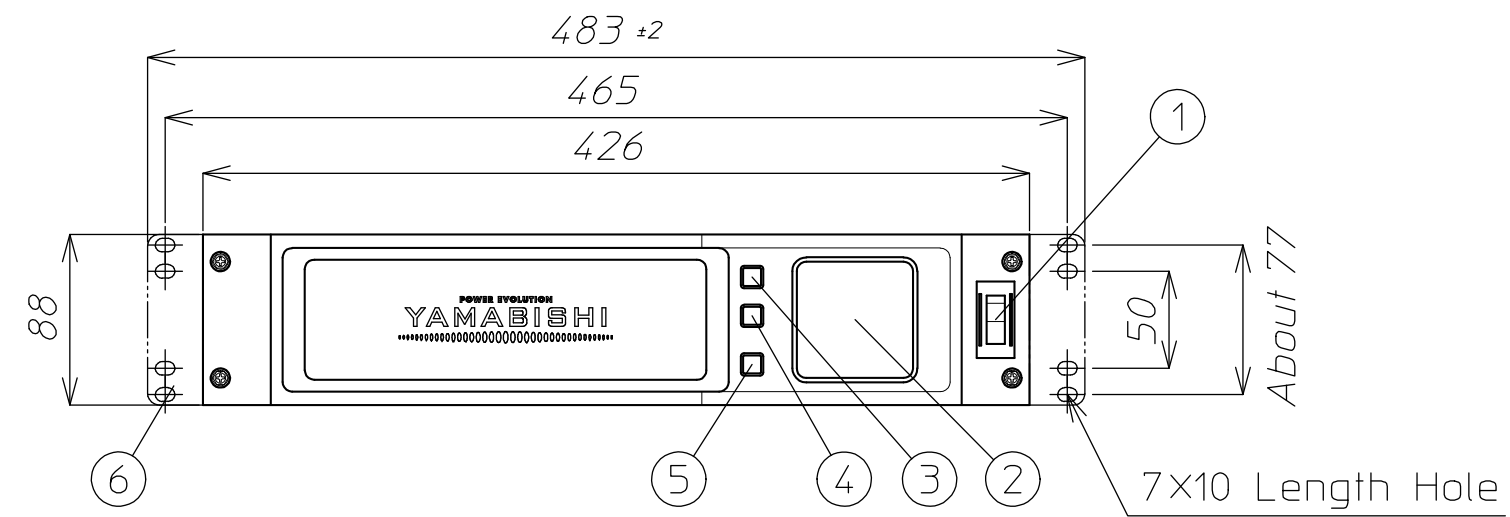


No.	Name	Note
1	INPUT CIRCUIT BREAKER	
2	LCD MONITOR	
3	FUNCTION KEY	
4	SET KEY	
5	ON/OFF KEY	
6	RACK INSTALLATION METAL FITTINGS	
7	INPUT SOCKET	
8	FAN	
9	SOLT FOR COMMUNICATION BOARD	
10	COMMUNICATION SLOT	RS-232C
11	BATTERY INCREASE CONNECTOR	
12	OUTPUT FUSE	
13	OUTPUT TERMINAL	

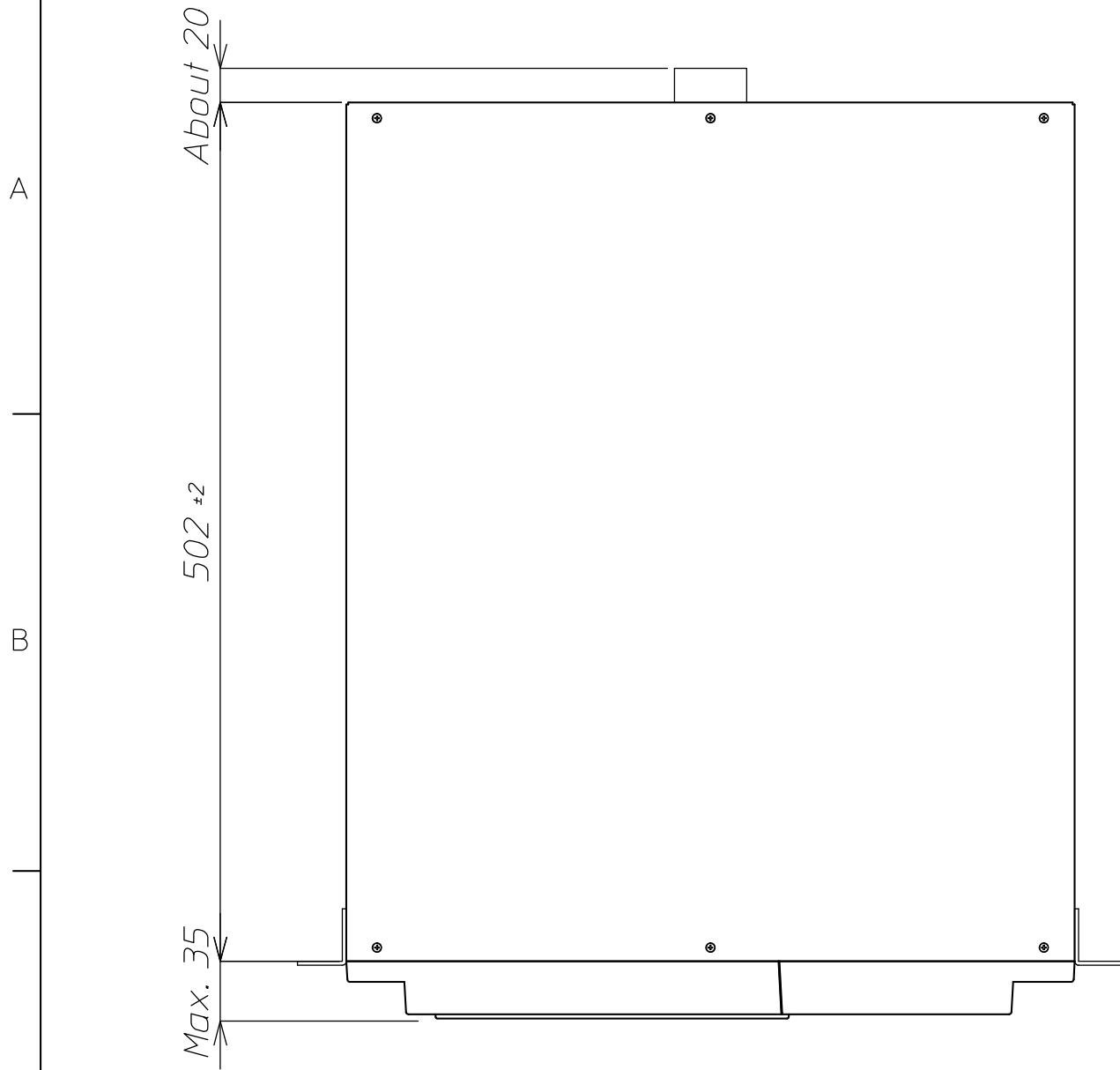
Mass about 13.2kg
 Pleade open the front and the back by 100mm or more for exhaust.
 This unit is not equipped with battery.
 Normal is equipped with one battery.
 (ALS-B)
 Cable inlet is on the back.With the bottom plate.



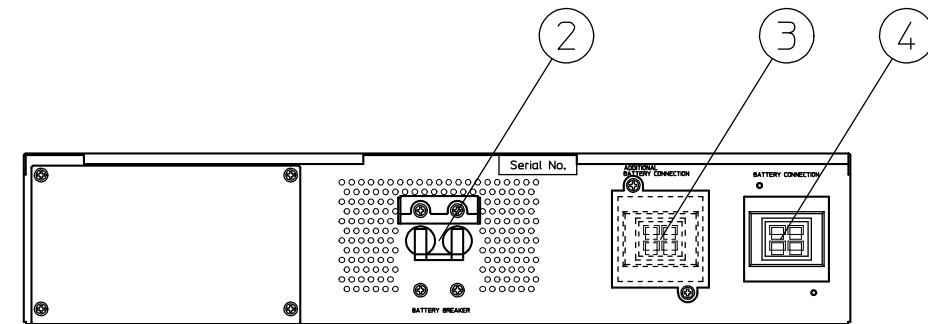
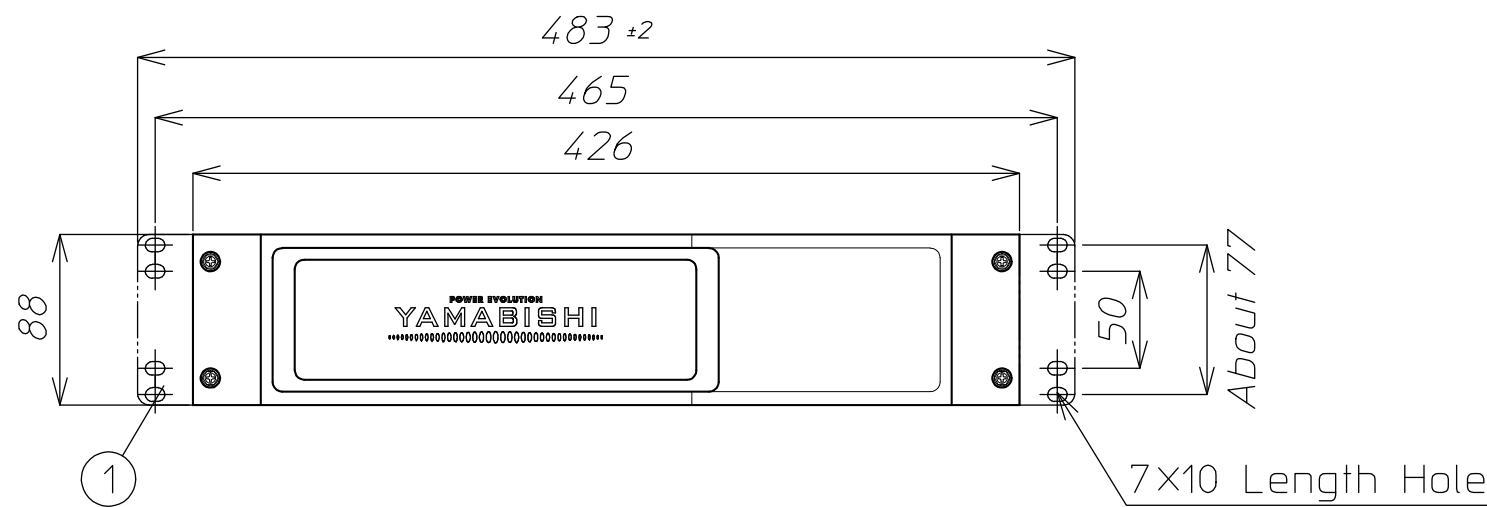
△				材料 Material	处理 Disposal	備考 Note
△				検図 設計 製図	写図	個数 数 / 台
△					Unit m / m	名称 Title
△					3角画法 3rd Angle Projection	尺度 1 / 4
番号	年月日	訂正記事	担当			図番 Dwg.No.

ALS-2KHRM
 OUTLINE DRAWING
 FOR REFERENCE

No.	Name	Note
1	RACK INSTALLATION METAL FITTINGS	
2	BATTERY CIRCUIT BREAKER	
3	Battery expansion connector	
4	BATTERY INCREASE CONNECTOR	



Mass about 31.2kg
 Please open the front and the back by 100mm or more for exhaust.
 Cable inlet is on the back. With the bottom plate.



BACK VIEW

△		材料 Material			处理 Disposal		備考 Note		
△	△	検図	設計	製図	写図	単位 Unit	個数 Article	数 / 台	名称 Title
△						m / m			ALS-B OUTLINE DRAWING
△						3角画法 3rd Angle Projection	尺度 Scale	1 / 4	図番 Dwg.No. FOR REFERENCE
△	番号	年月日	訂正記事	担当					